



QUARTER-TURN COMPACT 13,5 MM

The quarter-turn latch is very versatile and can be used in a vast number of applications. You design the latch to accommodate your needs by combining your choices of housing, nut, insert, washer, screw and cam. The latch can be delivered un-assembled, pre-assembled with enclosed cam or fully assembled.

The latch is vibration resistant according to DIN EN 61373. Protection degree IP65 is achieved by an O-ring on the insert and a flat gasket on the housing.



MATERIAL

Cam and screw: Steel, zinc plated

Housing: Zinc die cast, chrome plated or black texture powder coated

Insert: Zinc die cast, chrome plated or black texture powder coated

Standard nut: Brass, zinc plated

Washer: Stainless steel 304

RELATED PRODUCTS

Other materials: 6-130

Keys: 2-372, 2-370

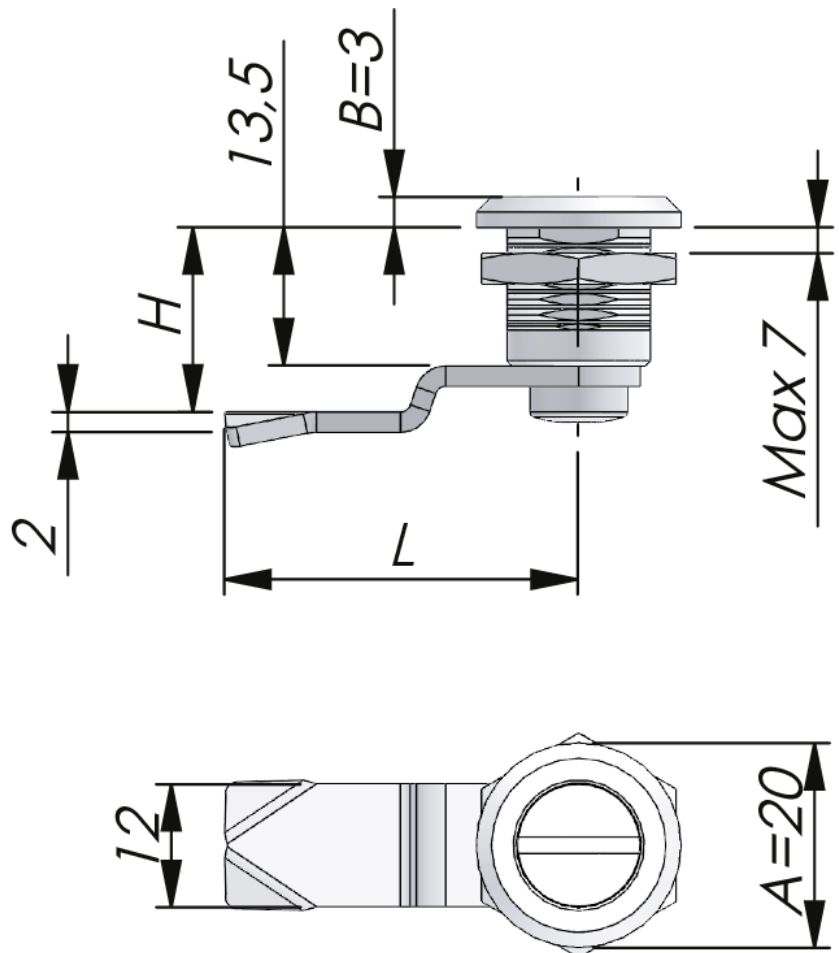
Handles and knobs: 2-111

Use the Index Code at industrilas.com

TECHNICAL INFORMATION

Cutout: COMPACT

Standards: IP65, DIN EN 61373



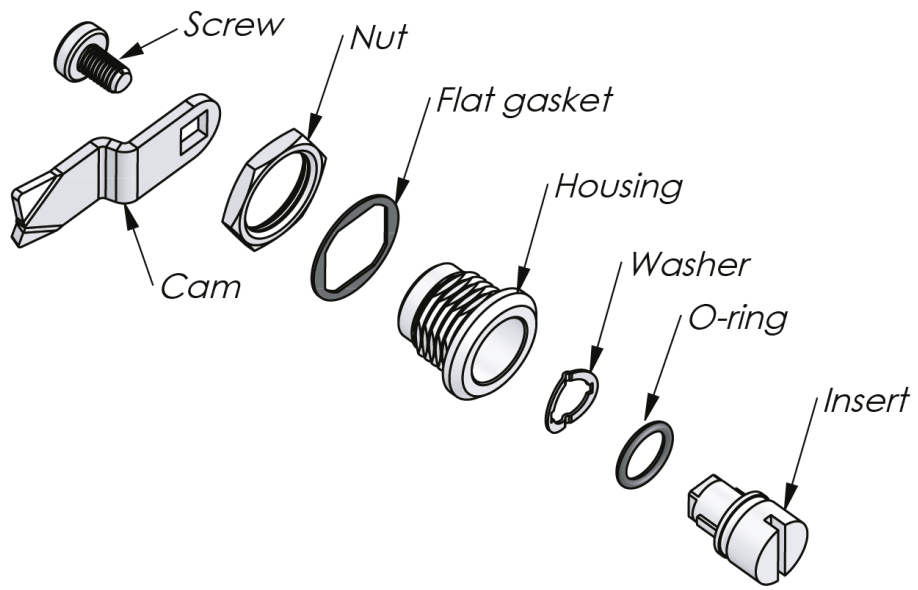
Industrilas
— When access counts —

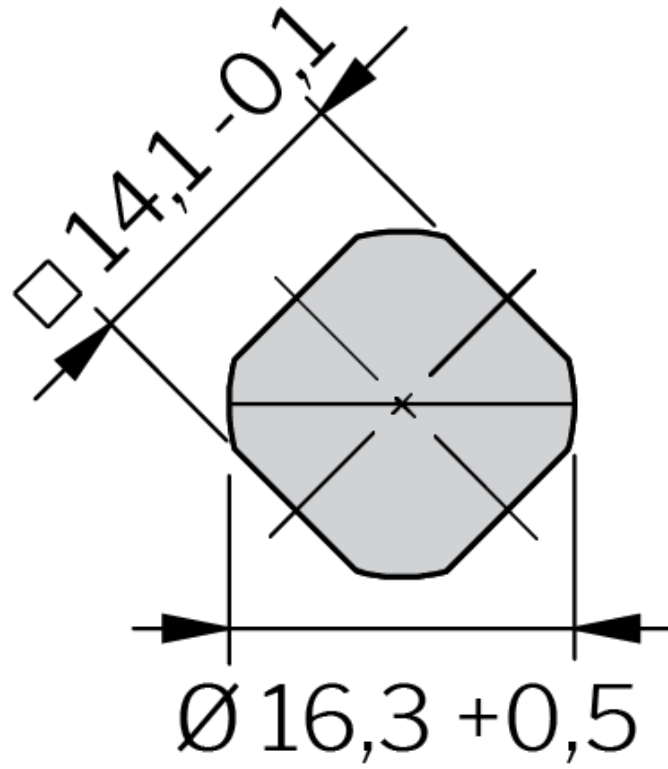
Make your selections in each column to create your article number (AAAA-BCCDEF-HLL)

AAAA Housing	B Nut	CC Insert	D Surface - insert	E Assembly	F Cam	HHLL H/L in mm
2452 Zinc, chrome plated A=20 B=3	0 SN	01 Square 6	2 Chrome	0 IP54 - not assembled	0 Steel	0000 No cam
	1 EN	02 Square 6 / M3	6 Black			0724 7,5 / 24
2456 Zinc, black coated A=20 B=3	2 SN+TUF	13 Triangle 6,5		1 IP65 - not assembled		0727 7,5 / 27
		26 Slotted		2 IP54 - enclosed cam		0730 7,5 / 30
	4 EN+TUF	33 Recessed hexagon 6		3 IP65 - enclosed cam		0934 9 / 34
						4 IP54 - assembled
	5 IP65 - assembled					1324 13,5 / 24*
						1327 13,5 / 27*
						1627 16,5 / 27
						1834 18 / 34
				1924 19,5 / 24		
				1927 19,5 / 27		
		2824 28 / 24				

SN = Standard nut. EN = Earthing nut.

TUF = Assembled with TUF-lock screw to achieve DIN EN 61373.





COMPACT